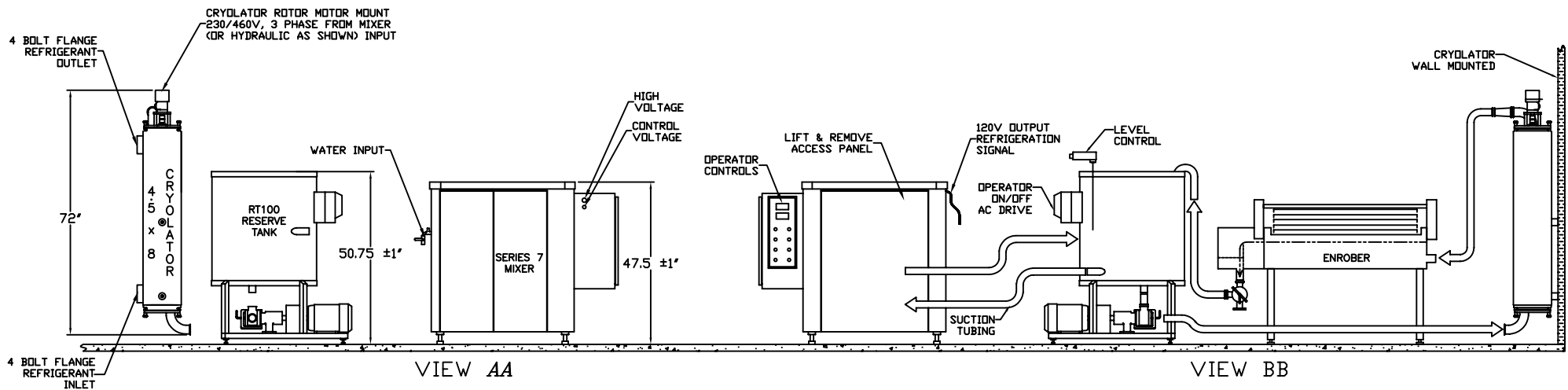


NOTES:

1. SERIES 790 MIXER ELECTRICAL:
 - 11 HP., 230/460V., 3 PH., 60 Hz.
 - 120 VOLT INPUT FOR OPERATOR CONTROL CIRCUIT.

WATER INPUT = 20 GPM. @ 40 PSI. WITH 3/4" SUPPLY MINIMUM.
2. CRYOLATOR 4.5x8
 - ELECTRICAL = 2 HP., 230/460V., 3 PH., 60Hz.
 - HYDRAULIC = 8 GPM. @ 800 PSI.
3. RESERVE TANK - RT100
 - ELECTRICAL - 5HP., 230V/460V., 3 PH, 60 Hz.
 - HYDRAULIC - 14 GPM. @ 800 PSI.
4. CONNECTIONS SHOULD NOT INTERFERE WITH EQUIPMENT FUNCTION.
5. FOOD VINYL TUBE (REINFORCED FOR SUCTION) IS USED FOR CONNECTIONS. TUBE BENDS ARE USED AS NEEDED TO PREVENT KINKING.
6. THE MIXING SYSTEM SHOULD NOT BE MORE THAN TWO FEET FROM THE APPLICATOR.
7. MIXER MUST HAVE 22' ON APPLICATOR SIDE TO OPEN DOORS.



	Wilevco, Inc. 10 Fortune Drive Billerica, MA 01821-3996 Phone: (978) 667-0400 Fax: (978) 670-9191	INSTALLATION LAYOUT SERIES 7 MIXER, CRYOLATOR RESERVE TANK & ENROBER																																		
	THIS DRAWING AND ANY DESIGN HEREON IS COPYRIGHT AND REMAINS THE PROPERTY OF WILEVCO INC. IT MAY NOT BE COPIED, LOANED OR DISCLOSED TO A THIRD PARTY WITHOUT WRITTEN CONSENT. IT IS SUBJECT TO RECALL.	Scale: 1 = 1 Date: 08/31/2007 Drawn By: M R Lohkamp	Wilevco Item: SE - 0736																																	
	<table border="1" style="width: 100%; border-collapse: collapse;"> <thead> <tr> <th style="width: 5%;">No.</th> <th style="width: 65%;">Revision Description</th> <th style="width: 10%;">Date</th> <th style="width: 20%;">By/APP</th> </tr> </thead> <tbody> <tr><td> </td><td> </td><td> </td><td> </td></tr> <tr><td> </td><td> </td><td> </td><td> </td></tr> <tr><td> </td><td> </td><td> </td><td> </td></tr> <tr><td> </td><td> </td><td> </td><td> </td></tr> </tbody> </table>	No.	Revision Description	Date	By/APP																	<table border="1" style="width: 100%; border-collapse: collapse;"> <tr> <td style="width: 25%;"> </td> <td style="width: 25%;"> </td> <td style="width: 25%;"> </td> <td style="width: 25%;"> </td> </tr> <tr> <td> </td> <td> </td> <td> </td> <td> </td> </tr> <tr> <td> </td> <td> </td> <td> </td> <td> </td> </tr> </table>														
	No.	Revision Description	Date	By/APP																																
WILEVCO IS AN EQUAL OPPORTUNITY EMPLOYER.																																				